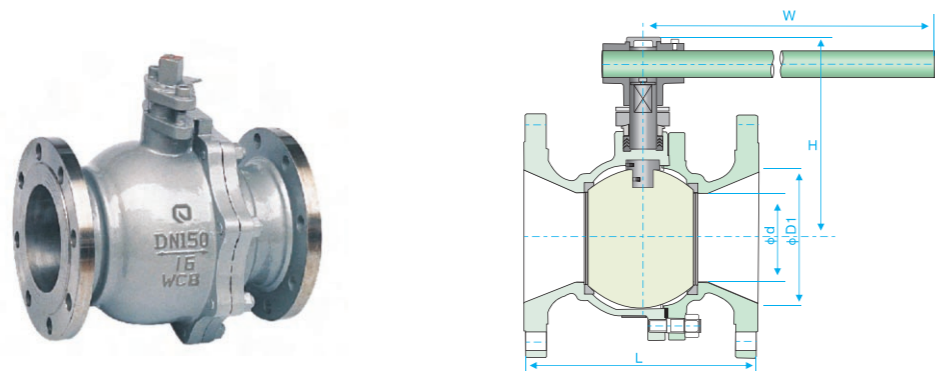


缩径球阀 Reduced bore ball valve

祺隆阀门除了生产全通径浮动球阀以外，还生产缩径浮动球阀，以满足用户的不同需求。缩径球阀不仅能适当的降低成本及价格，而且能满足用户的一些特定要求。

In addition to the full bore floating ball valve, QILONG company is also manufacturing the floating ball valve with reduced bore to satisfy different requirement of customers, which can not only lower the cost and the pricing, but also meet customers' special requirement.



用途 Application

固定球阀适用于Class150~Class2500、PN16~PN160、JIS 10K~JIS 20K的各种管路上，用于截断或接通管路中的介质，选用不同材质，可分别适用于水、蒸汽、油品、液化气、天然气、煤气、硝酸、醋酸、氧化性介质、尿素等多种介质。固定球阀的驱动方式为蜗轮蜗杆传动、手动、气动或电动。固定球阀一般采用法兰连接，也可采用对焊连接。

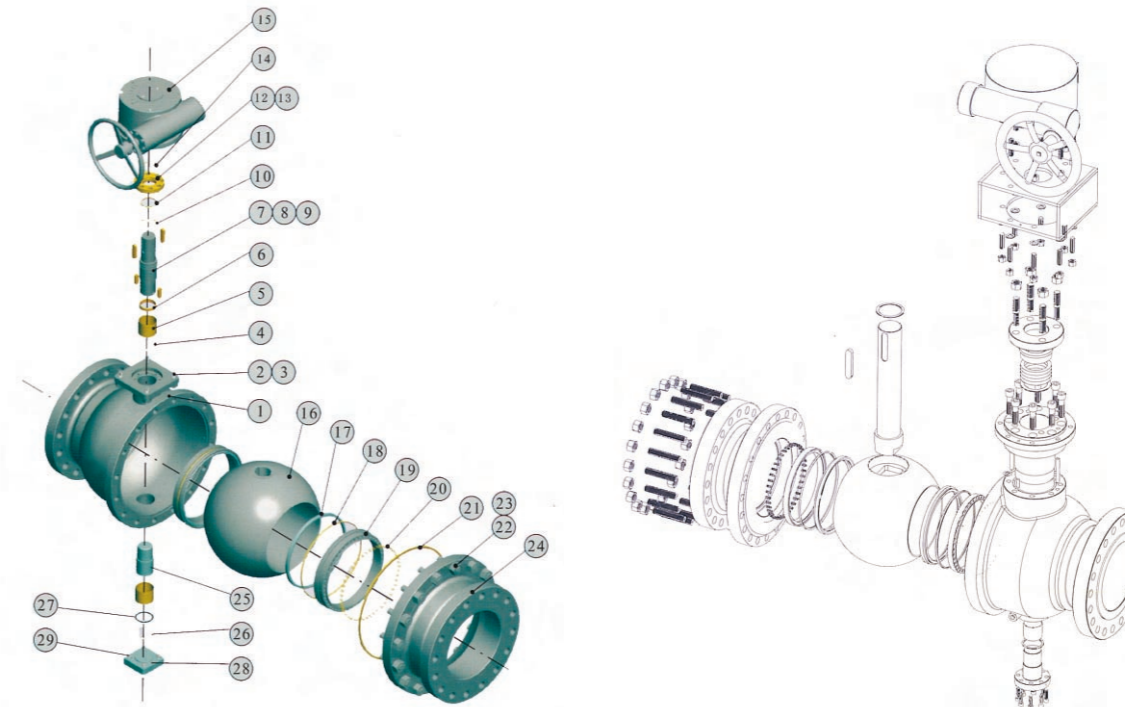
Trunnion Mounted ball valves are suitable for using on various kinds of pipelines of Class 150 Class 2500, PN16PN160, JIS10KJIS20K to cut off or turn on the pipeline medium, of which the operation types include worm gear, manual, pneumatic or electric actuators, being in general of flange connection, and butt welding end connection as well.

公称尺寸 Dimensions		Class150、PN20					Class300、PN50					Class600、PN110						
DN	NPS	L		D	D1	H	W	L		D	D1	H	W	L	D	D1	H	W
		长 Long	短 Short					长 Long	短 Short									
15	1/2	108		10	14	80	140	140		10	14	80	140	165	10	14	75	140
20	3/4	117		14	19	85	140	152		14	19	85	140	190	14	19	79	140
25	1	127		20	25	90	140	165		20	25	90	140	216	20	25	83	140
32	1 1/4	140		25	32	99	150	178		25	32	99	150	229	25	32	114	150
40	1 1/2	165		32	38	105	180	190		32	38	105	180	241	32	38	120	200
50	2	178		38	51	126	200	216		38	51	126	200	292	38	51	125	250
65	2 1/2	190		51	64	140	250	241		51	64	140	250	330	51	64	156	300
80	3	203		64	76	165	300	283		64	76	165	300	356	64	76	172	350
100	4	229		76	102	178	350	305		76	102	178	350	432	76	102	220	500
125	5	356		102	127	230	500	381		102	127	230	500	508	102	127	250	650
150	6	394	267	127	152	280	800	403	127	152	280	800	-	-	-	-	-	-
200	8	457	292	152	203	310	800	502	419	152	203	310	800	-	-	-	-	-
250	10	533	330	203	254	350	1000	568	457	203	254	350	1000	-	-	-	-	-

注：1、缩径球阀的连接法兰尺寸与全通径球阀相同
2、部分规格的缩径球阀，其结构长度有长系列和短系列两个系列

Note: 1. Sizes of flange connection of the ball valve with reduced bore are the same as that of full bore ball valves.

2. There are two series of face to face dimensions, i.e., the long series and the short series, for some of ball valves with reduced bore.



固定球阀典型结构及零部件组成 Typical drawing of trunnion ball valve and parts composition

1-阀体; 2-螺柱; 3-螺母; 4-O型圈; 5-轴套; 6-隔圈; 7-阀杆; ; 8-键; 9-键; 10-O型圈; 11-垫片; 12-压盖; 13-螺钉; 14-O型圈; 15-蜗轮蜗杆传动装置; 16-球体; 17-密封圈; 18-O型圈; 19-阀座; 20-弹簧; 21-垫片; 22-螺柱; 23-螺母; 24-阀盖; 25-下轴; 26-O型圈; 27-调整垫; 28-下端盖; 29-螺钉

1-Body; 2-Stud; 3-Nut; 4-O ring; 5-Bush; 6-Washer; 7-Stem; 8-Key; 9-Key; 10-O ring; 11-Gasket; 12-Gland; 13-Bolt; 14-O ring; 15-Worm gear; 16-Ball; 17-seat; 18-O ring; 19-Seat; 20-Spring; 21-Gasket; 22-St ud; 23-Nut; 24-Bonnet; 25-Trunnion; 26-O ring; 27-Adjusting chshion; 28-Down end cap; 29-Bolt

固定球阀的结构设计 Design features of trunnion mounted ball valve

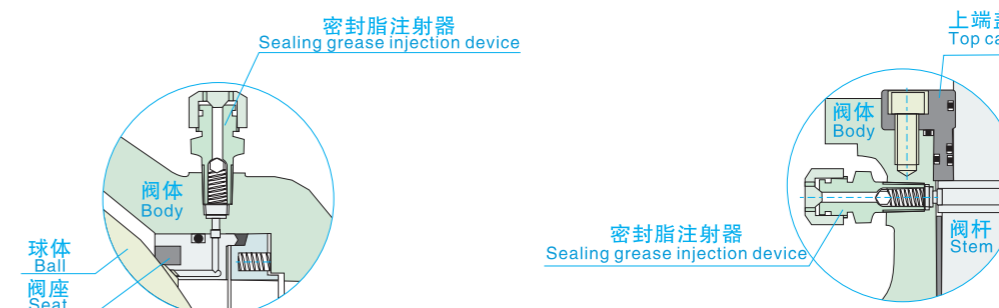
型号、材料及主要参数 Material and Main Valve Data

配管法兰 Pipe flange	公称压力 Pressure rating	法兰密封面 Flange face	常规产品型号 Type						
			Q347F-A1C	Q347F-A1P	Q347F-A1P8	Q347F-A1P3	Q347F-A1R	Q347F-A1R8	Q347F-A1R3
ASME B16.5 GB/T9112-9124 HG/T 20615	Class150	凸面 RF	Q347F-A3	Q347F-A3P	Q347F-A3P8	Q347F-A3P3	Q347F-A3R	Q347F-A3R8	Q347F-A3R3
	Class300		Q347F-A6	Q347F-A6P	Q347F-A6P8	Q347F-A6P3	Q347F-A6R	Q347F-A6R8	Q347F-A6R3
	Class600		Q347F-A9	Q347F-A9P	Q347F-A9P8	Q347F-A9P3	Q347F-A9R	Q347F-A9R8	Q347F-A9R3
	Class900		Q347F-A15	Q347F-A15P	Q347F-A15P8	Q347F-A15P3	Q347F-A15R	Q347F-A15R8	Q347F-A15R3
	Class1500		Q347F-A25	Q347F-A25P	Q347F-A25P8	Q347F-A25P3	Q347F-A25R	Q347F-A25R8	Q347F-A25R3
	Class2500								
GB/T9112-9124 HG/T 20592 JB/T 74-90	PN16	凸面 RF	Q347F-16C	Q347F-16P	Q347F-16P8	Q347F-16P3	Q347F-16R	Q347F-16R8	Q347F-16R3
	PN25		Q347F-25	Q347F-25P	Q347F-25P8	Q347F-25P3	Q347F-25R	Q347F-25R8	Q347F-25R3
	PN40	凹凸面 MF	Q347F-40	Q347F-40P	Q347F-40P8	Q347F-40P3	Q347F-40R	Q347F-40R8	Q347F-40R3
	PN63		Q347F-63	Q347F-63P	Q347F-63P8	Q347F-63P3	Q347F-63R	Q347F-63R8	Q347F-63R3
	PN100		Q347F-100	Q347F-100P	Q347F-100P8	Q347F-100P3	Q347F-100R	Q347F-100R8	Q347F-100R3
	PN160		Q347F-160	Q347F-160P	Q347F-160P8	Q347F-160P3	Q347F-160R	Q347F-160R8	Q347F-160R3
JIS B2238	10k	凸面 RF	Q347F-K1C	Q347F-K1P	Q347F-K1P8	Q347F-K1P3	Q347F-K1R	Q347F-K1R8	Q347F-K1R3
	20k		Q347F-K2	Q347F-K2P	Q347F-K2P8	Q347F-K2P3	Q347F-K2R	Q347F-K2R8	Q347F-K2R3
主要零件材料 Main parts material	阀体Body	WCB A105	ZG1Cr18Ni9Ti 1Cr18Ni9Ti	CF8 304	CF3 304L	ZG1Cr18Ni12Mo2Ti 1Cr18Ni12Mo2Ti	CF8M 316	CF3M 316L	
	球体、阀杆 Ball, Stem	2Cr13	1Cr18Ni19Ti	0Cr18Ni19 (304)	00Cr19Ni10 (304L)	1Cr18Ni12Mo2Ti	0Cr17Ni12Mo2 (316)	00Cr17Ni14Mo2 (316L)	
	密封面 sealing surface	增强聚四氟乙烯、对位聚苯、尼龙 RPTFE、PPL、NYLO							
适用工况 Applicable condition	适用介质 Applicable medium	水、蒸汽、油品、煤气、液化气、天然气等 Water, Steam Oils, Coal gas, Liquefied gas, gas	硝酸类腐蚀性介质 Nitric acid corrosion medium	强氧化性介质 Strong oxidizing medium	醋酸类腐蚀性介质 Acetic acid corrosive medium	尿素类腐蚀性介质 Urea corrosive medium			
	适用温度 Applicable temperature	≤180℃ (增强聚四氟乙烯)、≤300℃ (对位聚苯)、≤100℃ (尼龙)							
手动球阀 manual ball valve	在相应的蜗轮蜗杆型号的Q后去掉“3”表示, 示例: Q47F-A1C								
气动球阀 pneumatic ball valve	在相应的蜗轮蜗杆型号的Q后“3”改为“6”表示, 示例: Q647F-A1C								
电动球阀 electric ball valve	在相应的蜗轮蜗杆型号的Q后“3”改为“9”表示, 示例: Q947F-A1C								
缩径球阀 reduced bore ball valve	在相应的全通径球阀的型号前加“S”表示, 示例: SQ947F-A1C								
注: 本表为常规法兰连接蜗轮蜗杆传动固定球阀的型号编制、主要零件材料及适用工况, 其他要求及其型号编制见球阀型号编制方法。 Note: This table is about the model preparation, main parts material and applicable condition of flange ends metal to metal sealed ball valve.									

密封脂紧急注射装置 Urgent grease injection device

根据用户要求, 祺隆固定球阀可以设置密封脂紧急注射装置, 对于DN150(NPS6)以上的固定球阀, 在阀杆和阀座上均装有密封脂注射装置, 而对于DN125以下的固定球阀, 在阀门中腔装有密封脂注射装置。当阀座密封圈或阀杆O型密封圈因意外事故损坏时, 可通过密封脂注射装置注射密封脂, 以防止介质通过阀座密封圈和阀杆的泄漏。

According to customers' requirement, the trunnion mounted ball valves made by QILONG company are provided with devices for urgent grease injection, which are on both the stem and seat for the trunnion mounted ball valves of DN > 150mm (NPS6), and in the body cavity for the valve of DN < 125mm. When the O-ring of stem or the body seat ring is damaged due to accident, the medium leakage between body and stem can be prevented by injecting the sealing grease through the device.

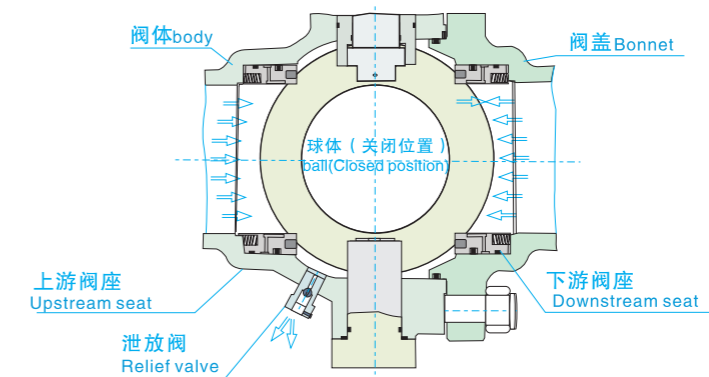


密封脂注射器 Sealing grease injection device

双阻断及泄放功能 Double-block and bleed functions

祺隆固定球阀一般采用球前阀座密封结构。固定球阀的两个阀座能独立切断进口端和出口端的介质, 实现双阻断功能。当球阀关闭时, 即使阀门进出口两端同时受压, 阀门中腔和两端通道也可以被相互阻断, 中腔内的剩余介质可以通过泄放阀排出。

In general, QILONG's trunnion mounted ball valve features the front ball sealing design. Each seat of the ball valve can separately cut off the medium at both inlet and outlet of the valve to realize double-block functions. When the ball valve is closed, body cavity and two of the body ends can be blocked with each other even if both the inlet and outlet are under pressure, when the medium left in the body cavity might be bled through the relief valve.

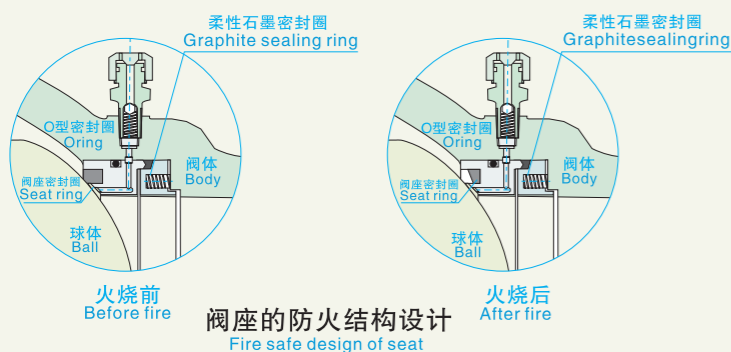


双阻断及泄放功能 Double-block and bleed functions

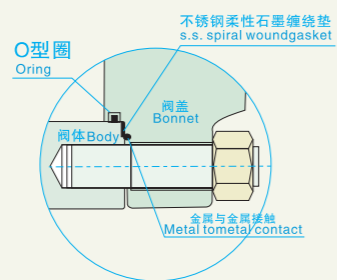
防火结构设计 Fire safe design

在阀门的使用现场发生火灾时，当聚四氟乙烯、橡胶等非金属材料制作的阀座密封圈、阀杆的O型圈以及中法兰O型密封圈在高温下损坏后，祺隆固定球阀能够借助于特别设计的金属对金属辅助密封结构或柔性石墨密封结构，有效地控制阀门内漏和外漏。对于用户有防火要求的固定球阀，祺隆公司的防火结构设计均符合API 607、API 6FA、BS6755及JB/T6899等标准规范的要求。

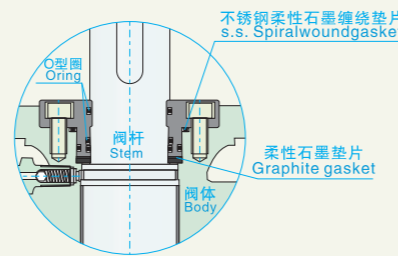
With the valve heated in a fire application, the non-metal material parts such as seat sealing ring of PTFE, O ring for the stem, and sealing gasket for body and bonnet, might be damaged due to high temperature. QILONG's special design of auxiliary metal to metal or the graphite seal is provided for the trunnion ball valve to effectively prevent both internal and external leakage of the valve. As required by customers, QILONG's fire safe design for the trunnion ball valve meets the requirement of API 607, API 6Fa, BS 6755 and JB/T 6899.



阀座的防火结构设计
Fire safe design of seat



中法兰密封的防火结构设计
Fire safe design of valve body and bonnet flanges

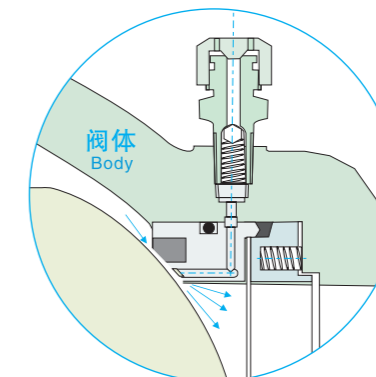


阀杆的防火结构设计
Fire safe design of stem

阀门中腔的自动泄压 Self-relief in the body cavity

当滞留在阀门中腔的液体介质由于温度升高而汽化，导致中腔压力异常升高时，中腔内的介质能够依靠其本身的作用力推动阀座而自动泄压，从而确保阀门的安全。

As the liquid medium left in the body cavity gasifies due to increased temperature, the pressure in the body cavity becomes abnormally higher, when the medium itself in the cavity would propel the seat and self-relieves the pressure to ensure the safety of valve.

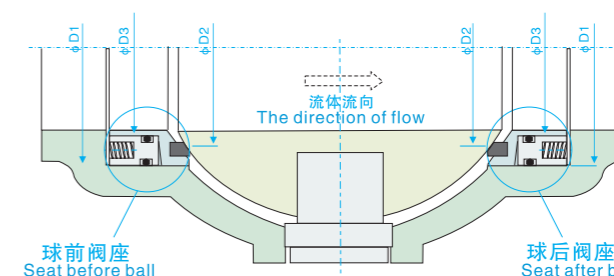


阀门中腔的自动泄压
Self-relief in the body cavity

球前球后双重密封结构设计 Trunnion ball valve with the Bi-sealing design structure, i.e. seat sealing in front of the ball and seat sealing behind the ball

对于某些特定的工况要求以及用户要求，祺隆固定球阀可以采用球前球后双重密封结构设计，即使其中一个密封圈因意外情况密封失效，阀门仍然能够正常工作，从而提高了阀门的密封可靠性。

According to some special working conditions and customers' requirement, QILONG has provided the trunnion mounted ball valve with the double-sealing design structure, i.e. seat sealing in front of the ball and seat sealing behind the ball, thus the reliable sealing of the valve is ensured because the valve can perform normally even if one of the effective sealing designs becomes lost due to the abnormal condition.



球前球后双密封结构设计
Trunnion ball valve with the Bi-sealing design structure, i.e. seat sealing in front of the ball and seat sealing behind the ball

对于球前阀座，由D1、D2的面积差形成的活塞效应，在阀座前后的介质压差作用下，加上弹簧的预紧力使球前阀座与球体紧密接触而密封，并且密封力随着介质压差的增大而增加。

对于球后阀座，由D2、D3的面积差形成活塞效应，在阀座前后的介质压差作用下，加上弹簧的预紧力使球后阀座与球体紧密接触而密封，并且密封力随着介质压差的增大而增加。

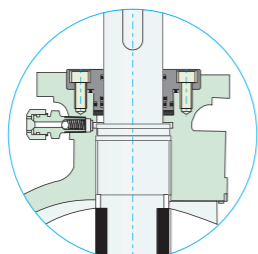
Regarding the seat in front of the ball, the piston effect formed by the area difference between D1 and D2, plus the pre-tightened force of a spring would cause the seat in front of the ball by the pressure difference of the medium before and after the valve to touch the ball closely to form the tightness, of

Regarding the seat after the ball, the piston effect formed by the area difference between D2 and D3, plus the pre-tightened force of a spring would cause the seat behind the ball to touch the ball closely to form the tightness, of which the sealing force will become bigger as the pressure difference gets higher.

阀杆的防吹出结构设计 Blow-out proof stem

阀杆采用防吹出结构设计。下端大上端小的阀杆在上端盖和螺钉的定位下，即使在阀腔异常升压的情况下，也能保证阀杆不会被介质喷出。

Blow-out proof structure is provided for the stem, which is positioned by the up-end cap and screw, being guaranteed not to be blown-out by the medium even if at abnormal risen pressure in the cavity.

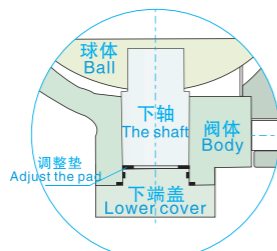


阀杆的防吹出结构设计
Blow-out proof stem

防静电结构 Anti-static design

固定球阀的球体通过相互间紧密接触下轴、调整垫、下端盖，与阀体形成静电通道。从而可将球体与阀座开关过程中摩擦产生的静电通过阀体引到大地，防止静电火花可能引起的火灾或爆炸等危险。

The ball of the trunnion mounted ball valve gets close contact with each other through the trunnion, adjusting cushion, and down-end cap, the passage of static electricity thus forms together with the valve, which may lead the static electricity caused by sparks generated by friction between the ball and seat during On and off performance to the ground to prevent the possible risk of fire or explosion.



防静电结构设计
Anti-static design

驱动装置安装平台的设置 Mounting pad provided

祺隆公司的固定球阀均设置了安装驱动装置的支架平台，可以方便的安装蜗轮蜗杆传动装置、气动装置、电动装置、液动装置以及气液联动装置等。

QILONG company has provided for trunnion mounted ball valve with a mounting pad for fixing the actuators, such as worm gear, pneumatic, electric, hydraulic, and pneumatic & hydraulic actuators.

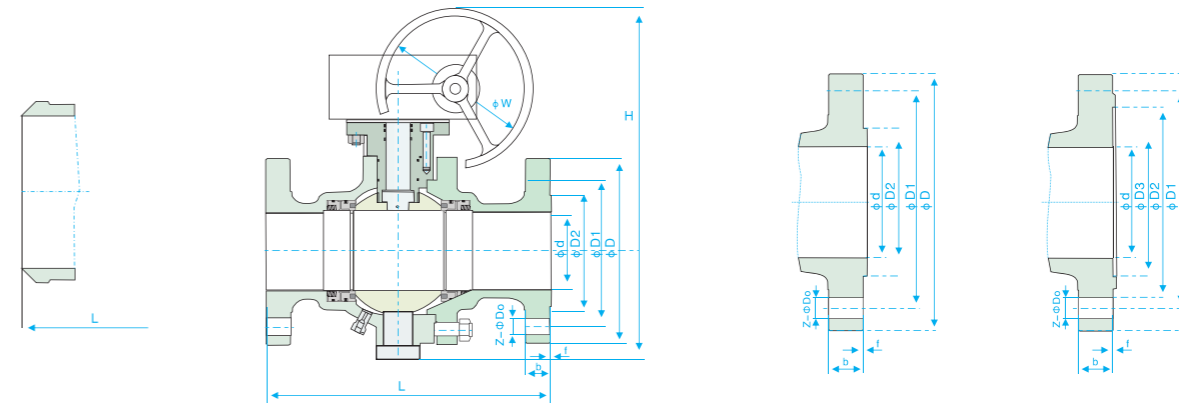


支架平台的设置能够方便的安装驱动装置
The mounting pad is designed to match with the actuator easily.

用心做好我们的专业 We will be engaged in developing our major

WWW.CHINAQIUFU.COM

主要尺寸及重量 Main size and weight



公称压力 Pressure Rating	公称尺寸 Dimensions		尺寸Dimensions (mm)											重量 Weight (Kg)	
	DN	NPS	L		d	D	D1	D2	b	f	Z-φdo	H	H1		W
			RF	对焊BW											
Class150 PN20	100	4	229	305	102	229	190.5	157	24	1.6	8-19	330	135	300	60
	125	5	356	381	127	254	216	186	24	1.6	8-22	360	165	300	80
	150	6	394	457	152	279	241.5	216	25.5	1.6	8-22	392	193	300	101
	200	8	457	521	203	343	298.5	270	29	1.6	8-22	492	240	300	166
	250	10	533	5590	254	406	362	324	31	1.6	12-25	548	293	300	283
	300	12	610	635	305	483	432	381	32	1.6	12-25	688	340	400	463
	350	14	686	762	337	533	476	413	35	1.6	12-29	722	372	400	622
	400	16	762	838	387	597	540	470	37	1.6	16-29	722	415	400	900
	450	18	864	914	438	635	578	533	40	1.6	16-32	804	462	500	1150
	500	20	914	991	489	699	635	584	43	1.6	20-32	952	511	600	1360
	600	24	1067	1143	591	813	749.5	692	48	1.6	20-35	1080	601	750	2514
	650	26	1143	1245	633	786	744.5	711	40	1.6	36-22	1150	660	750	3200
	700	28	1245	1346	684	837	795.5	762	43	1.6	40-22	1200	680	750	4000
	750	30	1295	1397	735	887	846	813	43	1.6	44-22	1280	710	750	4800
	800	32	1372	1524	779	941	900	864	44	1.6	48-22	1336	750	750	5800
900	36	1524	1727	874	1057	1009.5	972	51	1.6	44-26	1490	851	750	8000	
1000	40	1900	1840	976	1175	1120.5	1080	56	1.6	44-28	1570	919	800	9800	
1050	42	2050	1960	1020	1226	1171.5	1130	59	1.6	48-28	1640	980	800	11000	
1200	48	2180	2100	1166	1392	1335.0	1289	65	1.6	44-32	1780	1050	900	14000	
1400	56	2388	2422	1360	1746	1651	1571	124	1.6	48-48	1920	1073	960	29400	
1500	60	2540	2574	1458	1854	1759	1676	132	1.6	52-48	2070	1127	960	36000	
Class300 PN50	100	4	305	305	102	254	200	157	32	1.6	8-22	340	140	300	70
	125	5	381	381	127	279	235	186	35	1.6	8-22	370	170	300	95
	150	6	403	457	152	318	270	216	37	1.6	12-22	402	192	300	128
	200	8	502	521	203	381	330	270	41.5	1.6	12-25	498	246	300	234
	250	10	568	559	254	445	387.5	324	48	1.6	16-29	655	303	400	403
	300	12	648	535	305	521	451	381	51	1.6	16-32	658	348	400	602
	350	14	762	762	337	584	514.5	413	54	1.6	20-32	686	378	400	803
	400	16	838	838	387	648	571.5	470	58	1.6	20-35	880	429	600	1273
	450	18	914	914	438	711	628.5	533	61	1.6	24-35	1050	518	750	1450
	500	20	991	991	489	775	686	584	64	1.6	24-35	1110	540	750	1700
	600	24	1143	1143	591	914	813	692	70	1.6	24-41	1400	650	750	3100
	650	26	1245	1245	633	867	803.5	737	87	1.6	32-35.5	1500	750	750	4500
	700	28	1346	1346	684	921	857	787	87	1.6	36-35.5	1600	800	750	6000
	750	30	1397	1397	735	991	921	845	92	1.6	36-39	1720	860	750	7500
	800	32	1524	1524	779	1054	978	902	102	1.6	32-42	1800	900	750	9000
900	36	1727	1727	874	1172	1089	1010	102	1.6	32-45	2200	1020	600	12000	
1000	40	1930	1952	976	1238	1156	1086	114	1.6	32-45	1468	819	960	11730	
1050	42	2032	2054	1020	1289	1207	1137	119	1.6	32-45	1532	844	960	16300	
1200	48	2388	2410	1166	1467	1372	1302	133	1.6	32-51	1670	933	960	20160	
1400	56	2642	2664	1360	1708	1600	1518	154	1.6	28-60	1920	1054	960	30860	
1500	60	2946	2986	1458	1810	1702	1626	164	1.6	32-60	2070	1105	960	37800	

用心做好我们的专业 We will be engaged in developing our major

WWW.CHINAQIUFU.COM

公称压力 Pressure Rating	公称尺寸 Dimensions		尺寸Dimensions (mm)													重量 Weight (Kg)
	DN	NPS	L			d	D	D1	D2	b	f	Z-φ do	H	H1	W	
			RF	RJ	对焊BW											
Class600 PN110	50	2	292	295	292	51	165	127	92	26	6.4	8-19	240	94	300	32
	65	2½	330	333	330	64	190	149	105	29	6.4	8-22	290	115	300	47
	80	3	356	359	356	76	210	168	127	32	6.4	8-22	340	136	300	68
	100	4	432	435	432	102	273	216	157	38	6.4	8-25	358	152	300	106
	125	5	508	511	508	127	330	266.5	186	45	6.4	8-29	400	180	300	170
	150	6	559	562	559	152	356	292	216	48	6.4	12-29	445	209	400	241
	200	8	660	664	660	203	419	349	270	56	6.4	12-32	498	263	400	444
	250	10	787	791	787	254	508	432	324	64	6.4	16-35	653	312	400	668
	300	12	838	841	838	305	559	489	381	67	6.4	20-35	665	354	500	1050
	350	14	889	892	889	334	603	527	413	70	6.4	20-38	738	389	600	1317
	400	16	991	994	991	385	686	603	470	77	6.4	20-41	920	440	750	1800
	450	18	1092	1095	1092	436	743	654	533	83	6.4	20-44	1100	530	750	2400
	500	20	1194	1200	1194	487	813	724	584	89	6.4	24-44	1200	560	750	3000
	600	24	1397	1407	1397	589	940	838	692	102	6.4	24-52	1480	670	750	5400
	650	26	1448	1461	1448	633	1016	914.4	749	108	6.4	28-51	1089	650	960	5830
	700	28	1549	1562	1549	684	1073	965.2	800	111	6.4	28-55	1155	686	960	6700
	750	30	1561	1664	1651	735	1130	1022.4	857	114	6.4	28-55	1211	715	960	7450
	800	32	1778	1794	1778	779	1194	1079.3	914	117	6.4	28-60	1316	747	960	8470
	850	34	1930	1946	1930	830	1245	1130.3	965	121	6.4	28-60	1361	822	960	10360
	900	36	2083	2099	2083	874	1314	1194	1022	124	6.4	28-67	1433	857	960	12080
1000	40	2337	2359	2337	976	1321	1213	1111	159	6.4	32-60	1521	860	960	15420	
1050	42	2387	2409	2387	1020	1403	1283	1168	168	6.4	28-67	1586	901	960	18180	
1200	48	2540	2562	2540	1166	1594	1460.5	1334	189	6.4	32-73	1735	997	960	25260	
1400	56	2667	2689	2667	1360	1854	1695	1543	217	6.4	32-86	1945	1127	960	38670	
1500	60	2950	2972	2950	1458	1994	1822	1657	233	6.4	28-94	2054	1197	960	47360	
Class900 PN150	50	2	368	371	368	51	216	165.1	92	38.5	6.4	8-26	250	98	300	45
	65	2½	419	422	419	64	244	190.5	105	41.5	6.4	8-29	300	120	300	55
	80	3	381	384	381	76	241	190.5	127	38.5	6.4	8-26	345	140	300	94
	100	4	457	460	457	102	292	234.9	157	44.5	6.4	8-32	415	162	300	141
	125	5	559	562	559	127	349	279.4	186	51	6.4	8-35	446	188	300	230
	150	6	6120	613	610	152	381	317.5	216	56	6.4	12-32	477	213	400	325
	200	8	737	740	737	203	470	393.7	270	63.5	6.4	12-39	520	270	400	580
	250	10	838	841	838	254	545	469.9	324	70	6.4	16-39	628	322	400	850
	300	12	965	968	965	305	610	533.4	381	79.5	6.4	20-39	680	360	500	1330
	350	14	1029	1038	1029	322	640	558.8	413	86	6.4	20-42	750	400	600	1660
	400	16	1130	1140	1130	373	705	615.9	470	89	6.4	20-45	940	460	750	2280
	450	18	1219	1232	1219	423	785	685.8	533	102	7	20-51	730	532	800	2770
	500	20	1321	1334	1321	471	855	749.3	584	108	7	20-55	780	577	800	3740
	600	24	1549	1568	1549	570	1040	901.7	692	140	7	20-68	995	720	800	5560
	650	26	1651	1674	1651	617	1086	952.5	749	140	7	20-73	1038	743	800	7070
	700	28	1753	1775	1753	665	1168	1022.3	800	143	7	20-80	1088	784	800	8070
	750	30	1880	1902	1880	712	1232	1085.9	857	149	7	20-80	1157	816	800	9680
	800	32	2032	2054	2032	760	1314	1155.7	914	159	7	20-86	1190	857	960	11000
	900	36	2286	2315	2286	855	1461	1289	1022	171.5	7	20-94	1292	930	960	15700
	1000	40	2410	2438	2410	959	1511	1339.9	1162	206	7	24-94	1361	955	960	20040
1200	48	2620	2652	2620	1155	1784	1587.5	1384	233	7	24-105	1568	1112	960	32830	
Class1500 PN260	40	1½	305	305	305	38	178	123.8	73	32	6.4	4-29	280	100	300	44
	50	2	368	371	368	51	216	165.1	92	38.5	6.4	8-26	320	113	300	67
	65	2½	419	422	419	64	244	190.5	105	41.5	6.4	8-29	340	125	300	80
	80	3	470	473	470	76	267	203.2	127	48	6.4	8-32	385	138	300	130
	100	4	546	549	546	102	311	241.3	157	54	6.4	8-35	415	171	300	192
	125	5	673	676	673	125	375	292.1	186	73.5	6.4	8-42	480	200	400	335
	150	6	705	711	705	144	394	317.5	216	83	6.4	12-39	580	222	400	475
	200	8	832	841	832	192	483	393.7	270	92	6.4	12-45	584	280	400	820
	250	10	991	1000	991	239	585	482.6	324	108	6.4	12-51	650	340	500	1320
	300	12	1130	1146	1130	287	675	571.5	381	124	6.4	16-54	700	370	600	2050
	350	14	1257	1276	1257	315	203	635	413	133.5	7	16-60	561	515	800	3240
	400	16	1384	1407	1384	360	235	704.8	470	146.5	7	16-68	601	552	800	4645
450	18	1537	1559	1537	371	267	774.7	533	162	7	16-74	688	657	800	6035	
500	20	1664	1686	1664	416	305	831.8	584	178	7	16-80	727	692	800	8077	
600	24	1943	1972	1943	498	356	990.6	692	203.5	7	16-94	803	785	800	12357	
Class2500 PN420	40	1½	384	387	384	38	419	146	73	44.5	6.4	4-32	290	105	300	72
	50	2	451	454	451	42	483	171.4	92	51	6.4	8-29	320	120	300	104
	65	2½	508	514	508	52	550	196.8	105	57.5	6.4	8-32	350	130	300	140
	80	3	578	584	578	62	750	228.6	127	67	6.4	8-35	400	150	300	202
	100	4	673	683	673	87	825	273	157	76.5	6.4	8-42	425	180	400	305
	125	5	794	807	794	100	915	323.8	186	92.5	6.4	8-48	500	210	400	530
	150	6	914	927	914	131	985	368.3	216	108	6.4	8-54	590	230	500	760
	200	8	1022	1038	1022	179	1170	438.1	270	127	6.4	12-54	610	290	500	1200
	250	10	1270	1292	1270	223	675	539.7	324	165.5	6.4	12-67	660	350	600	2080
	300	12	1422	1445	1422	265	760	619.1	381	184.5	17.8	12-74	638	580	800	3050

公称压力 Pressure Rating	公称尺寸 Dimensions		尺寸Dimensions (mm)													重量 Weight (Kg)	
	DN	NPS	L			d	D	D1	D2	D3	b	f	Z-φ do	H	H1		W
			法兰	对焊													
PN16	150	394	457	152	285	240	212	-	22	3	8-22	392	193	300	98		
	200	457	521	203	340	295	268	-	24	3	12-22	492	240	300	160		
	250	533	559	254	405	355	320	-	26	3	12-26	548	293	300	282		
	300	610	635	305	460	410	378	-	28	4	12-26	688	340	400	455		
	350	686	762	337	520	470	438	-	30	4	16-26	722	372	400	615		
	400	762	838	387	580	525	490	-	32	4	16-30	722	415	400	889		
	450	864	914	438	640	585	550	-	40	4	20-30	804	462	500	1150		
	500	914	991	489	715	650	610	-	44	4	20-33	952	511	600	1360		
	600	1067	1143	591	840	770	725	-	54	5	20-36	1154	601	750	2530		
	700	1245	1346	684	910	840	795	-	58	5	24-36	1200	680	750	4200		
	800	1372	1524	779	1025	950	900	-	62	5	24-39	1336	750	750	6000		
	900	1524	1727	874	1125	1050	1000	-	64	5	28-39	1490	851	750	7200		
	1000	1900	1840	976	1255	1170	1115	-	68	5	28-42	1570	919	800	9900		
	1200	2180	2100	1166	1485	1390	1330	-	78	5	32-48	1780	1050	900	14000		
	PN25	150</															

公称压力 Pressure Rating	公称尺寸 Dimensions		尺寸Dimensions (mm)											重量 Weight (Kg)	
	DN	L		d	D	D1	D2	D3	b	f	Z-φ do	H	H1		W
		法兰	对焊												
PN160	50	368	368	51	215	165	132	88	36	3	8-25	250	98	300	44
	65	419	419	64	245	190	152	110	44	3	8-30	300	120	300	56
	80	381	381	76	260	205	168	121	46	3	8-30	345	140	300	99
	100	457	457	102	300	245	200	150	48	3	8-34	415	162	300	148
	125	559	559	127	355	285	238	176	60	3	8-41	446	188	300	240
	150	610	610	152	390	318	270	204	66	3	12-41	477	213	300	338
	200	737	737	203	480	400	345	260	78	3	12-48	520	270	400	595
	250	838	838	254	580	485	425	313	88	3	12-54	628	322	400	878
300	965	965	305	665	570	510	364	100	4	16-54	680	360	500	1400	

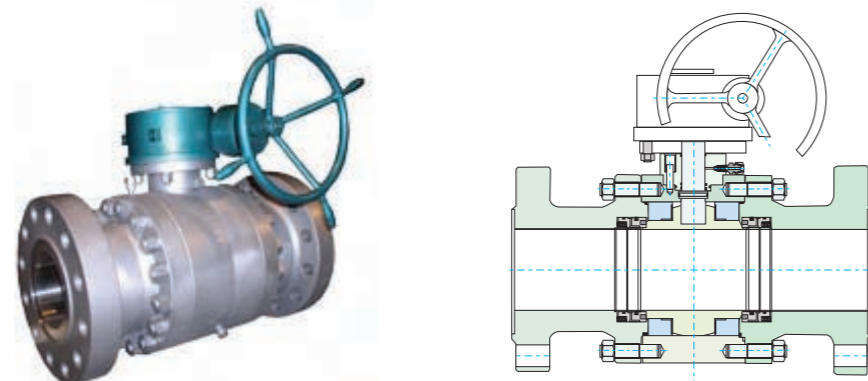
注:本表 (PN16~PN160) 法兰尺寸按GB/T9112~9124标准尺寸。根据用户要求, 法兰尺寸也可按HG/T 20592、及JB/T 74~90标准设计制造。
Note: this table of flange size is as per standard ASME B16.5, it also can be designed and produced as per customer's requirement or GB/G9112~9124, HG/T20592, JB/T74~90.

公称压力 Pressure Rating	公称尺寸 Dimensions DN	尺寸 (mm)											重量 (Kg)
		L	d	D	D1	D2	b	f	Z-φ do	H	H1	W	
JIS 10K	100	229	102	210	175	151	18	2	8-19	330	135	300	57
	125	356	127	250	210	182	20	2	8-23	360	165	300	77
	150	394	152	280	240	212	22	2	8-23	392	193	300	98
	200	457	203	330	290	262	22	2	12-23	492	240	300	160
	250	533	254	400	355	324	24	2	12-25	548	293	300	279
	300	610	305	445	400	368	24	3	16-25	688	340	400	448
	350	686	337	490	445	413	26	3	16-25	722	372	400	604
	400	762	387	560	510	475	28	3	16-27	722	415	400	880
	450	864	438	620	565	530	30	3	20-27	804	462	500	1120
JIS 20K	500	914	489	675	620	585	30	3	20-27	952	511	600	1310
	600	1067	591	795	730	690	32	3	24-33	1154	601	750	2480
	100	305	102	225	185	160	24	2	8-23	340	140	300	65
	125	381	127	270	225	195	26	2	8-25	370	170	300	91
	150	403	152	305	260	230	28	2	12-25	402	192	300	120
	200	502	203	350	305	275	30	2	12-25	498	246	300	220
	250	568	254	430	380	345	34	2	12-27	655	303	400	388
	300	648	305	480	430	395	36	3	16-27	658	348	400	580
	350	762	337	540	480	440	40	3	16-33	686	378	400	780
	400	838	387	605	540	495	46	3	16-33	880	429	600	1220
	450	914	438	675	605	560	48	3	20-33	1050	518	750	1400
500	991	489	730	660	615	50	3	20-33	1110	540	750	1640	
600	1143	591	845	770	720	54	3	24-39	1400	650	750	3000	

锻钢固定球阀 Forged Steel Trunnion Mounted ball valve

祺隆公司的固定球阀一般采用铸钢阀体, 根据用户要求, 也可采用锻钢, 锻钢固定球阀的法兰尺寸及结构长度与铸钢固定球阀相同。

QILONG company manufactures in general trunnion mounted ball valve of casted steel valve body. However, if required by customers, forged steel valve body is also available, of which the flange dimensions and face to face dimensions are the same as that of cast steel trunnion mounted ball valve.



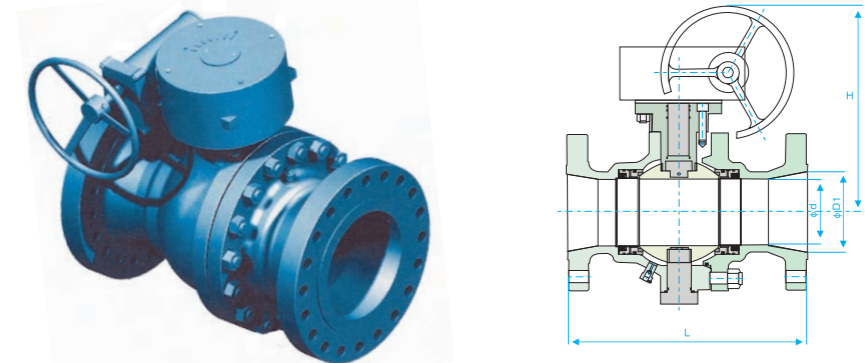
用心做好我们的专业 We will be engaged in developing our major

WWW.CHINAQIUFU.COM

缩径固定球阀 Reduced bore trunnion mounted ball valve

祺隆公司除了生产全通径固定球阀外, 还生产缩径固定球阀, 以满足用户的不同需求。缩径固定球阀不仅能适当的降低成本及价格, 而且能满足用户的一些特点要求。

Except for full bore ball valves, QILONG company manufactures also the ball valve with reduced bore to meet different requirement of customers, which not only lowers the cost and pricing, but also satisfies the special requirement of customers.



公称尺寸 Dimensions		压力级 Pressure rating													
		Class150、PN20				Class300、PN50				Class600、PN110					
DN	NPS	尺寸 (mm)													
		L	d	d1	H	L	d	d1	H	L		d	d1	H	
		RF		RJ						RF		RJ			
125	5	356	102	127	330	381	102	127	340	508	511	102	127	358	
150	6	394	102	152	330	403	102	152	340	559	562	102	152	358	
200	8	457	152	203	392	502	152	203	402	660	664	152	203	445	
250	10	533	203	254	492	568	203	254	498	787	791	203	254	498	
300	12	610	254	305	548	648	254	305	655	838	841	254	305	653	
350	14	686	305	337	688	762	305	337	658	889	892	305	337	665	
400	16	762	305	387	688	838	305	387	658	991	994	305	387	665	
450	18	864	337	438	722	914	337	438	686	1092	1095	337	438	738	
500	20	914	387	489	750	991	387	489	880	1194	1200	387	489	920	
600	24	1067	489	591	952	1143	489	591	1110	1397	1407	489	591	1200	
650	26	1143	538	633	1050	1245	538	633	1250	-	-	-	-	-	
700	28	1245	591	684	1154	1346	591	684	1400	-	-	-	-	-	
750	30	1295	633	735	1300	1397	633	735	1500	-	-	-	-	-	
800	32	1375	684	779	1550	1524	684	779	1600	-	-	-	-	-	
900	36	1524	779	874	1740	1727	779	874	1800	-	-	-	-	-	

公称尺寸 Dimensions		Class900、PN150					Class1500、PN260					Class2500、PN420				
DN	NPS	L		d	d1	H	L		d	d1	H	L		d	d1	H
		RF	RJ				RF	RJ				RF	RJ			
65	2½	419	422	50	64	250	419	422	50	64	320	508	514	42	52	320
80	3	381	384	64	76	300	470	473	64	76	340	578	584	52	62	350
100	4	457	460	76	102	345	546	549	76	102	385	673	683	62	87	400
125	5	559	562	102	127	415	673	676	102	127	415	794	807	87	100	425
150	6	610	613	102	152	415	705	711	102	144	480	914	927	87	131	500
200	8	737	740	152	203	477	832	841	144	192	580	1022	1038	131	179	590
250	10	838	841	203	254	520	991	1000	192	239	584	1270	1292	179	223	610
300	12	965	968	254	305	628	1130	1146	239	287	650	1422	1445	223	265	660
350	14	1029	1038	305	322	680	-	-	-	-	-	-	-	-	-	-
400	16	1130	1140	305	373	680	-	-	-	-	-	-	-	-	-	-

注: 缩径固定球阀的法兰尺寸与全通径固定球阀相同。
Note: Flange dimensions of ball valve with reduced bore are the same as that of full bore ball valve.

用心做好我们的专业 We will be engaged in developing our major

WWW.CHINAQIUFU.COM